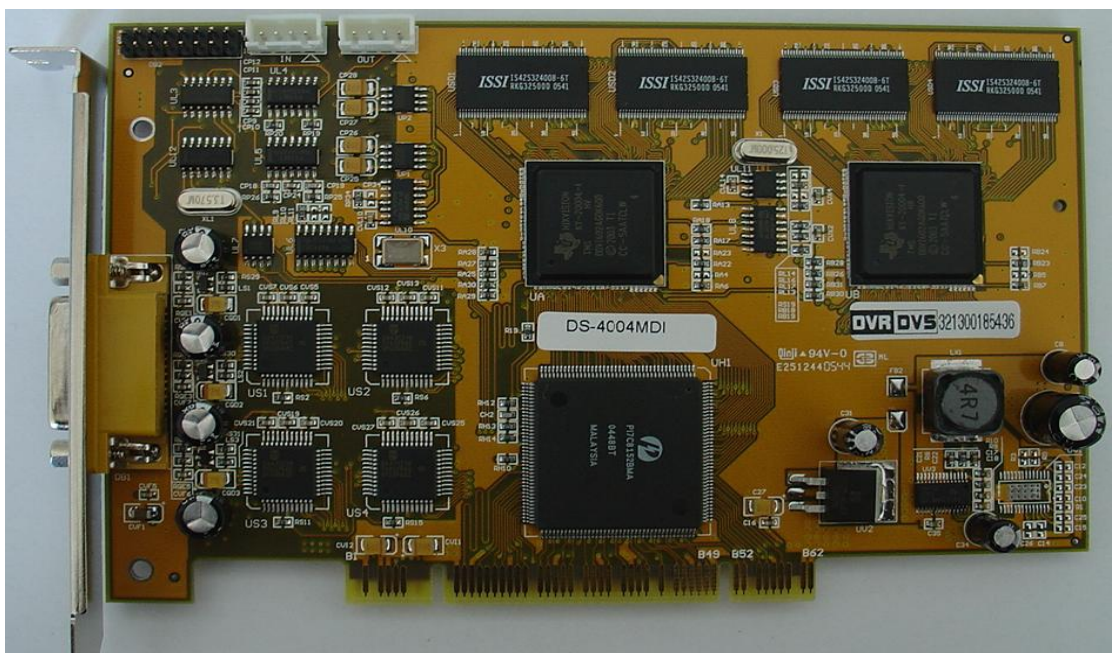


H.264 High Resolution Video & Audio Matrix Decode Board DS-4004MDI Series

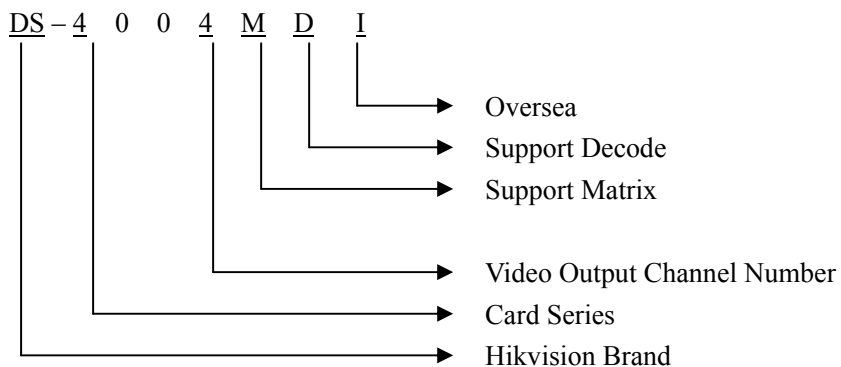
Brief Introduction of Hikvision DS-4004MDI board

Hikvision DS-4004MDI matrix decode board is the key product to build digital video matrix and network matrix. It can be used for decoding H.264 streams compressed by Hikvision DS-4000HI, DS-4000HCI, DS-6000HCI, DS-6000HFI, DS-7000HI, DS-8000HCI, DS-8000HFI, DS-8000HTI, DS-8000HSI, DS-800AHI/AHLI(ATM/POS),. It is a bridge between digital and analog system, and strongly support concentrative digital surveillance solution.

Model Description:



DS-4004MDI



Features:

Decode function:

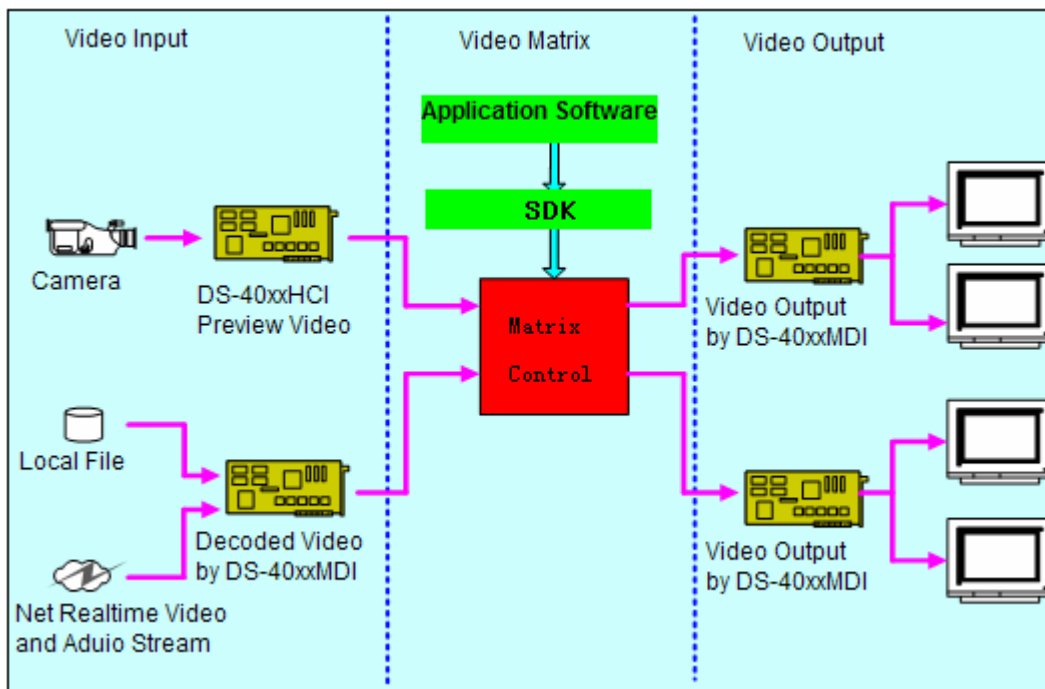
- Each DS-4004MDI can decode 8 channels' 2CIF/CIF/QCIF ,6 channels' DCIF,4 channels' 4CIF video & audio stream;
- Supported video type: Hikvision DS-400xHI,DS-400xHDI,DS-40xxHCI card and Hikvision DS-6000HCI, DS-6000HFI, DS-7000HI, DS-8000HCI, DS-8000HFI, DS-8000HTI, DS-8000HSI, DS-800AHI/AHLI(ATM/POS) embedded device;
- DS-4004MDI audio & video output:
 1. Audio Output: 4 channels, user can choose any 4 channels from 8 channels' decode channels and output to monitor;
 2. Video Output: 4 channels, each video output can be divided into up to 16 windows.
 3. Audio Monitor: 1 channel, each DS-4004MDI supports 1 channel audio monitored by sound card;
- Software: from version 4.1 SDK, Hikvision provides the support to DS-4004MDI.
 1. Support the mixed plug of DS-400xHI, DS-400xHDI, DS-40xxHCI and DS-4004MDI card in a PC;
 2. The SDK supports DS-400xHI, DS-400xHDI, DS-40xxHCI and DS-4004MDI simultaneity;
 3. Most API functions are compatible with the old decode card DS-4004DI;
- At present one PC can max support 8 pieces of DS-4004MDI card, that is to say 64-channel decode and 32-channel video output can be supported.

Video Matrix:

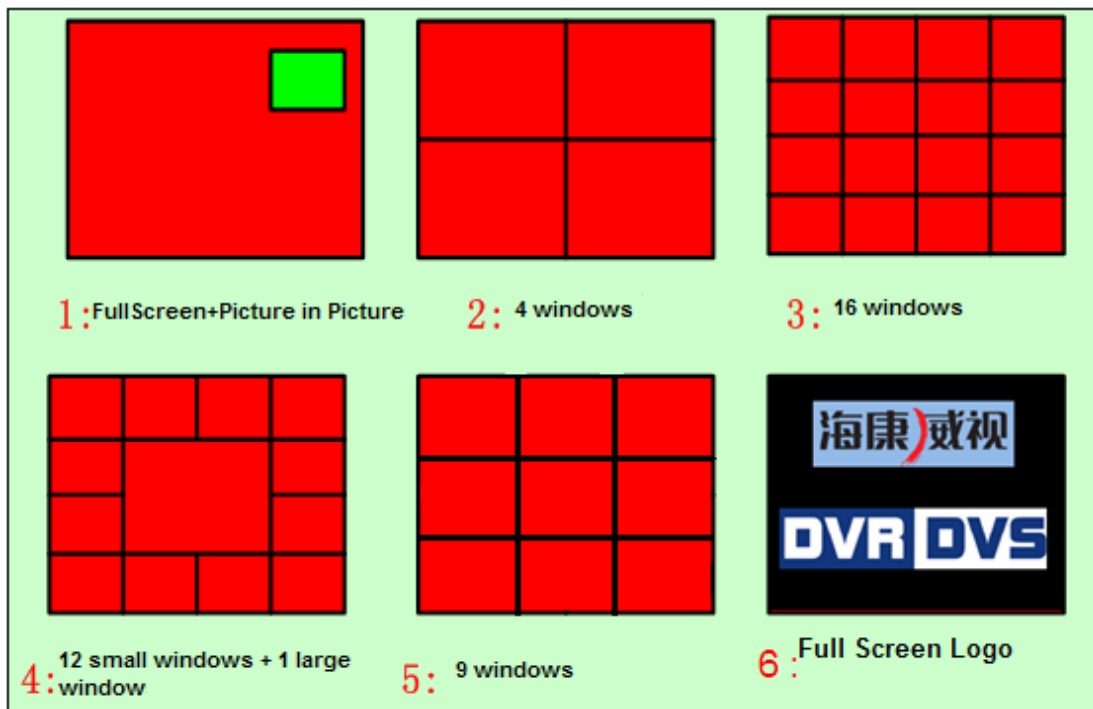
- Video input: the real time preview video of DS-40xxHCI card, the video decoded by DS-4004MDI card (local files or net real time video stream) or logo picture.
- Video output: video output channel of DS-4004MDI card. Each video output supports window division, each video output can be divided into up to 16 windows. The video matrix switches the video by using the window as the unit.
- Video Matrix control: for all the plugged DS-40xxHCI and DS-4004MDI card in the PC, all the encode video of DS-40xxHCI card and decoded video of DS-4004MDI card, can be output to any window position on any video display channel of any piece of DS-4004MDI card.

- Basic parameters of video matrix:
 1. Each DS-4004MDI supports 4 channel video output, and the resolution for each video output is 4CIF.
 2. Each preview video of DS-40xxHCI card can be output to 2 different monitors by DS-4004MDI card simultaneously;
 3. Each video decoded by DS-4004MDI card can be output to 2 different monitors by DS-4004MDI card simultaneously;
 4. Each output video supports picture-in-picture feature, the position of the each window can be adjusted dynamically.
 5. For each channel video output of DS-4004MDI card ,the size of output video cannot exceed 4CIF +2*QCIF, that is to say it supports one 4CIF full screen output plus two channels' QCIF picture-in-picture output.

The digital video matrix constructed by DS-40xxHCI and DS-4004MDI card



The following typical window division is supported and output to monitor by DS-4004MDI card



Product Specification:

Model	DS-4004MDI
Decode DSP number	2
Video decode	8 channels
Audio decode	8 channels
Video Output	4 channels, BNC(Vp-p=1.0V, 75Ω)
Audio Output	4 channels, BNC(SNR =90DB)
Supported Decompression Resolution	4CIF:704*576(PAL),704*480(NTSC) DCIF:528*384(PAL),528*320(NTSC) 2CIF:704*288(PAL),704*240(NTSC) CIF:352*288(PAL),352*240(NTSC) QCIF:176*144(PAL),176*120(NTSC)
PCI standard compatible	PCI 2.2
Power Consumption	Less than 7.5W
Working Temperature	-10°C--+50°C
Working Humidity	10%--90%
Dimension	158mm(width)*108mm(height)
System Requirements	OS : Windows 2000/XP/Server 2003 ,Redhat 9.0,Fedora 3 ,Fedora 4 CPU : Intel Series Motherboard: based on Intel 845 / 865 /915/925/945 Chipset Memory: 256MB or above Display Adapter: Nvidia Geforce Mx400/420/440/4000 serials, FX 5200/5600 GeForce 6600 ATI Radeon 7000/7500/8500/9000/9200/9600 serials, ATI X300/X700 Intel 845G/865G/915G integrated Graphics Controller