

Media Converter



Transmitter: FO-71DT(XX)

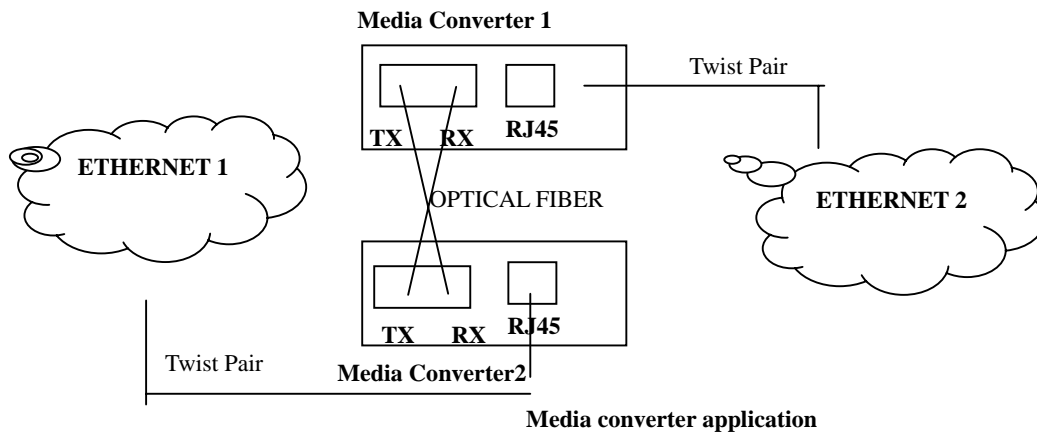
Receiver: FO-71DR(XX)

Features

- FO-71DT/FO-71DR are designed to meet the massive needs for Fast network deployment and able to extend a copper based Fast network via fiber cable to a maximum distance up to 120KM
- 10/100Base-T to 100BASE-FX Converter
- Standard : IEEE 802.3 IEEE 802.3u
- Supports 100Base-FX standard;
- Built in 128Kb RAM for data buffer
- Supports auto MDI-MDIX function
- Supports link fault pass through function
- Supports for end fault function (optional)
- LED display for link/activity, full/half, 10/100M
- Support EEPROM configuration (optional)
- the longest transmission distance reach 120 kilometers

Applications

The products are widely used in TV and broadcast, rail, electric power, water conservancy, military, etc.



Specifications

Input Power Range (dBm) :multimode 0~-30
Singlemode 0~-40

MTBF>100,000 hours

Dimension: 95×70×26mm (external power)
140×110×30mm (internal power)

Operating temperature: 0°C-70°C

Storage temperature: -45°C-80°C

Humidity : 0~95% non-condensing

1. ACCORDING TO OUTLINE:
 - 200V/110V AC input power standalone media converter;
 - +6V DC input power standalone media converter;
 2. ACCORDING TO QUANTITY of FIBER:
 - Single fiber bi-directional media converter,
 - Dual fiber media converter;
 3. ACCORDING TO TYPE OF FIBER:
 - Multimode media converter, Single mode media converter
-