



10/100/1000 Base TX to 1000 Base FX

Media Converter

Transmitter: FO-72DT(XX)

Receiver: FO-72DR(XX)

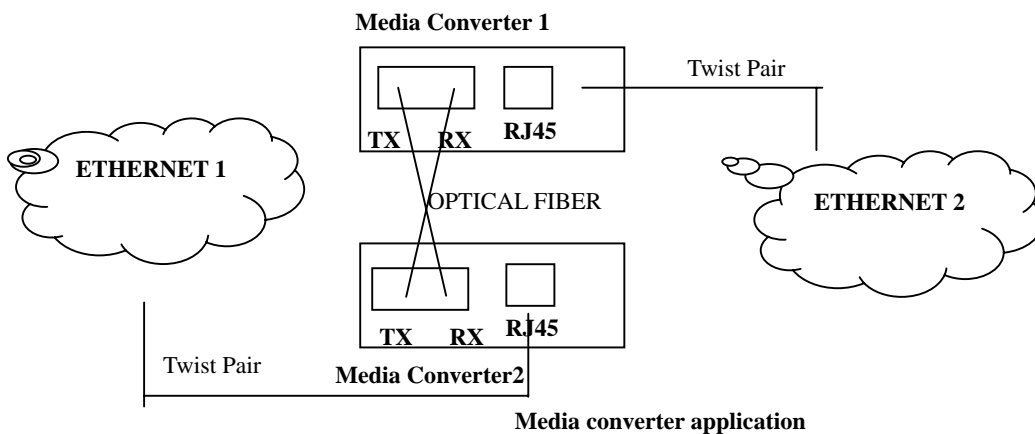
Features

- FO-72DT/FO-72DR are designed to meet the massive needs for Fast network deployment and able to extend a copper based Fast network via fiber cable to a maximum distance up to 120KM
- 10/100Base-T to 100BASE-FX Converter
- Standard : IEEE 802.3 IEEE 802.3u
- Supports 1000Base-FX standard;
- Built in 128Kb RAM for data buffer
- Supports auto MDI-MDIX function
- Supports link fault pass through function
- Supports for end fault function (optional)
- LED display for link/activity, full/half, 10/100M
- Support EEPROM configuration (optional)
- the longest transmission distance reach 120 kilometers

Applications

The products are widely used in TV and broadcast, rail, electric power, water conservancy, military, etc.

Typical Applications



Specification:

1. Standard Protocol: IEEE802.3 10 Base-T standard
IEEE 802.3u 100Base-TX/FX standard
 2. Connector: one UTP RJ-45 connector, one SC/ST connector
 3. Operation mode: full duplex mode or half duplex mode
 4. Power supply parameter: outside: 5V DC 1A
built-in: 110-265V AC 48VDC
 5. Environmental temperature: 0°C-60 °C
 6. Relative humidity: 5%-90%
 8. TP cable: Cat5 UTP cable
 9. Transfer fiber:
multi-mode: 50/125, 62.5/125 or 100/140 μ m
single mode: 8.3/125, 8.7/125, 9/125 or 10/125 μ m
 10. Dimensions:
External power supply: 26mm x 70mm x 95mm
Internal power supply: 30mm x 110mm x 140mm
-