

# MG-TK20 Intelligence Pan-Tilt System

## Features:

- No-dead angle, 360° continuously rotation, Built-in receiver, Multi-speed control: 0~20°/s
- 6 cruising tracks, 128 preset positions, locking the target by the shortest route
- Built-in fan, heater and wiper, it can be configured 20x 30x lens for the far distance
- High speed for wide-angle, low speed for far distance, locking the target faster
- Suitability: It's suitable for frontier, coast defense, city square, forest, airport and motorway.



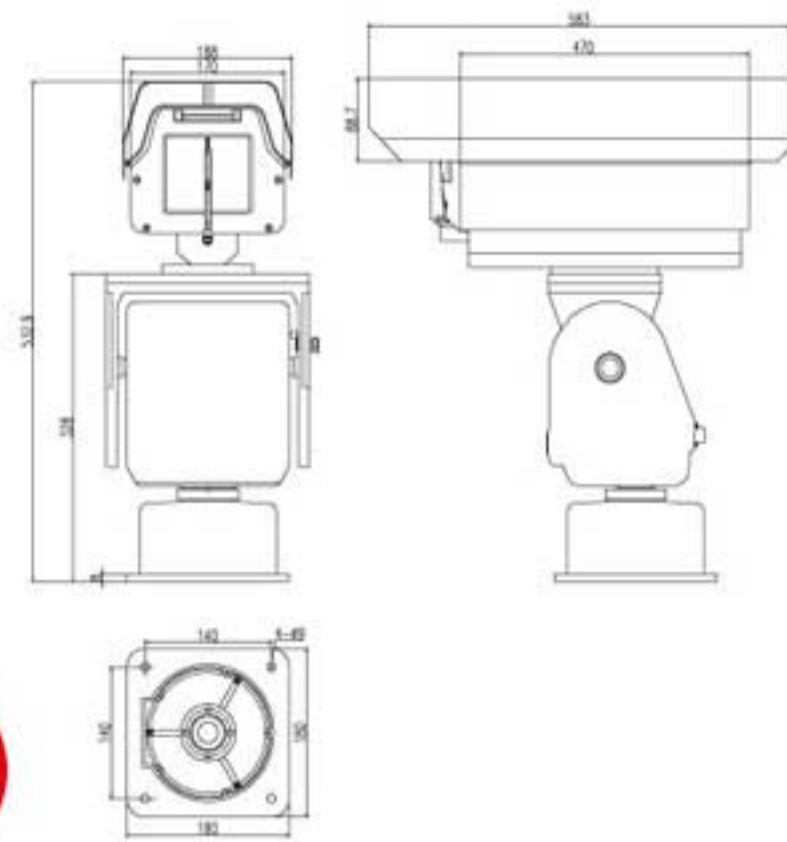
# MG-TK20P-R Outdoor Infrared Pan-Tilt System

## Features:

- With Infrared LED, and it could catching target promptly at night. Infrared LED range up to 100 meters.
- Weatherproof design, high die-cast aluminum casing, it could anti shock, anti corrosion with wiper, and protection grade IP66.
- It can anti strong wind, and moves stably.
- With auto heater system inside of the housing, and suitable for cold and top regions.
- Special casing design, and it's convenient for disassembly, fixing and maintenance
- With intelligent decoder which could change its speed, and with wide speed range 0-10°/s.
- Top-installing and flank-installing for optional. (option)



## Dimension



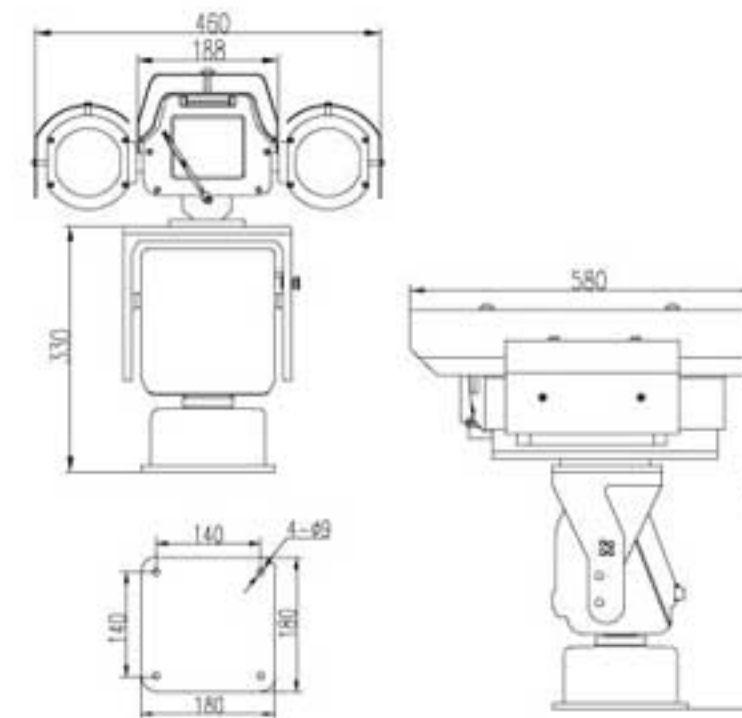
## Mechanism Parameter

Model	MG-TK20
Control way	Multi-protocol, Baud rate from 2400Bps to 19200Bps, RS485 communication
Preset track	128 presets, 6 tracks
Pan range	360°
Tilt range	+20°~ -70°
Preset Pan speed	40°/s
Preset Tilt speed	3°/s
Pan speed	0~20°/s
Tilt speed	0~5 (3) °/s
IP grade	IP66
Relative humidity	98% without agglomeration
Work temperature	-35°C~+55°C
Power	70W
Load	≥15Kg
Weight	15Kg
Power supply	AC24V/AC110V/AC220V

## Using places

- Specially suitable for super huge zoom lens. It is suitable for forest, city and airport using,
- and coasts defense.

## Dimension



## Mechanism Parameter

Model	MG-TK20P-R
Communication	Multi protocol, RS485
Pan range	355°
Tilt range	+20°~-70°
Pan speed	0°~10°/s
Tilt speed	0°~5°/s
IP grade	IP66
Relative humidity	98%
Work temperature	-35℃~+55℃
Power consumption	60VA
Load	15kg
Weight	15kg
Power supply	AC24V
Preset position	64