

# MG-TC26 SERIES

Infra Red High Speed P/T/Z System

## Features:

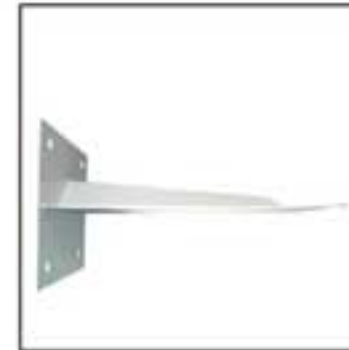
- With infrared LED range up to 100 meters, It could catching image promptly at night
- Weatherproof design, high die-cast aluminum casing, protection grade IP66 With wiper
- Super shockproof, especially suitable for car surveillance
- 360° Continuously rotation, upward angle up to 180°
- 6 cruising tracks, each cruising track has 16 preset positions, 128 preset positions
- Input voltage: DC10.5V~DC18V



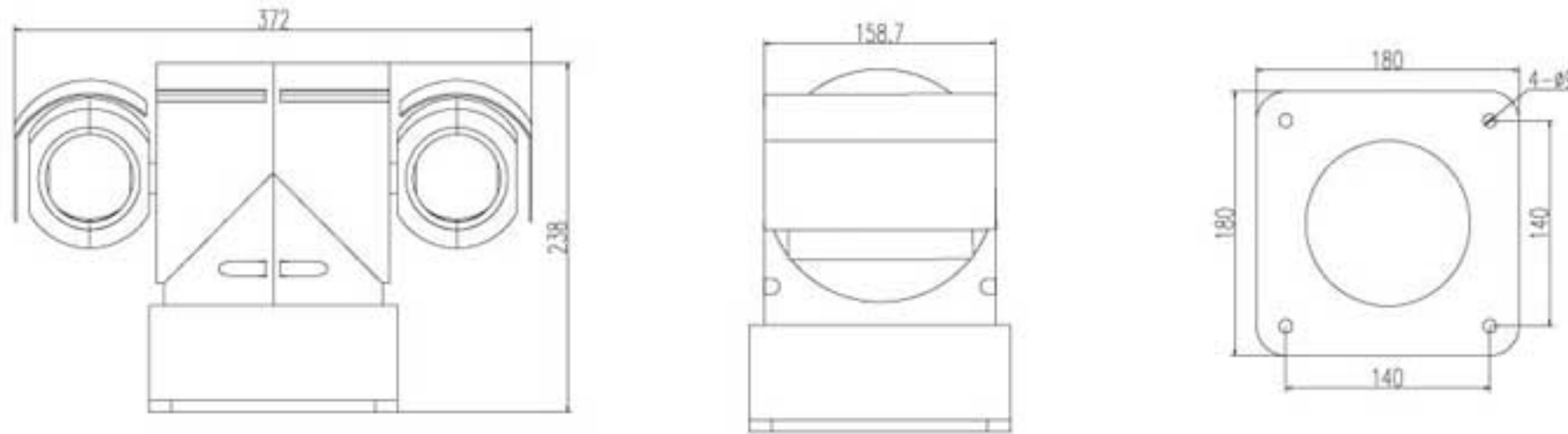
shock absorber for vehicle  
MC-TC2600



Wall Bracket  
MG-B27V



## Dimension



16

## camera option

Model	FCB-EX45CP	FCB-EX480CP	VK-S214ER	VK-S454E	FCB-EX980P	LVC-313HP	VK-S654	FCB-EX1000	CNB-VP200L	VCC-MD600P
Description	SONY 18× COLOR	SONY 18× D/N	HITACHI 22× COLOR	HITACHI 23× D/N	SONY 26× D/N	LG 27× D/N	HITACHI 35× D/N	SONY 36× D/N	CNB 22× D/N	SANYO 30× D/N
		*		✓	*		✓	*		✓

The products with "\*" are our best recommended brands, others with "✓" are our optional products.

## Camera specification

Model	MG-TC2618B	MG-TC2626B	MG-TC2636B
Image sensor	1/4 Exview HAD CCD		
Active pixels	752H×582V		
Synchronization	Internal / Extrinsic		
Video output	1.0Vp-p at 75ohm		
White balance	Auto / Manual		
Scanning frequency	15.625KHz(H) 50Hz		
Horizontal resolution	480TVL		
S/N Ratio	> 50dB		
Electronic shutter	1/1~1/10,000s	1/1~1/10,000s	1/50 (1/1) ~1/10,000s
Min. illumination	0.01Lux	0.01Lux	0.7Lux
Focal length	f=4.1~73.8mm	f=3.5~91mm	f=3.4~122.4mm
Zoom	Total 216X	Total 312X	Total 432X
	Optical 18X	Optical 26X	Optical 36X
	Digital 12X	Digital 12X	Digital 12X
Focal & Iris	Auto / Manual		

## Mechanism Parameter

Pan preset speed	100°/s
Tilt preset speed	60°/s
Pan speed	0°~80°/s
Tilt speed	0°~40 (60) °/s
Pan range	360° Continuously
Tilt range	+90°~90° (-85°)
Preset track	128 presets, 6 tracks
Communication	Multi-protocol, Baud rate from 2400Bps to 19200Bps for optional, RS485 control
Relative humidity	90%without agglomeration
IP grade	IP66
Work temperature	-35°C~55°C
Power supply	DC10.5V~DC18V(50VA)
Shock	≥4G
Weight	6Kg

17